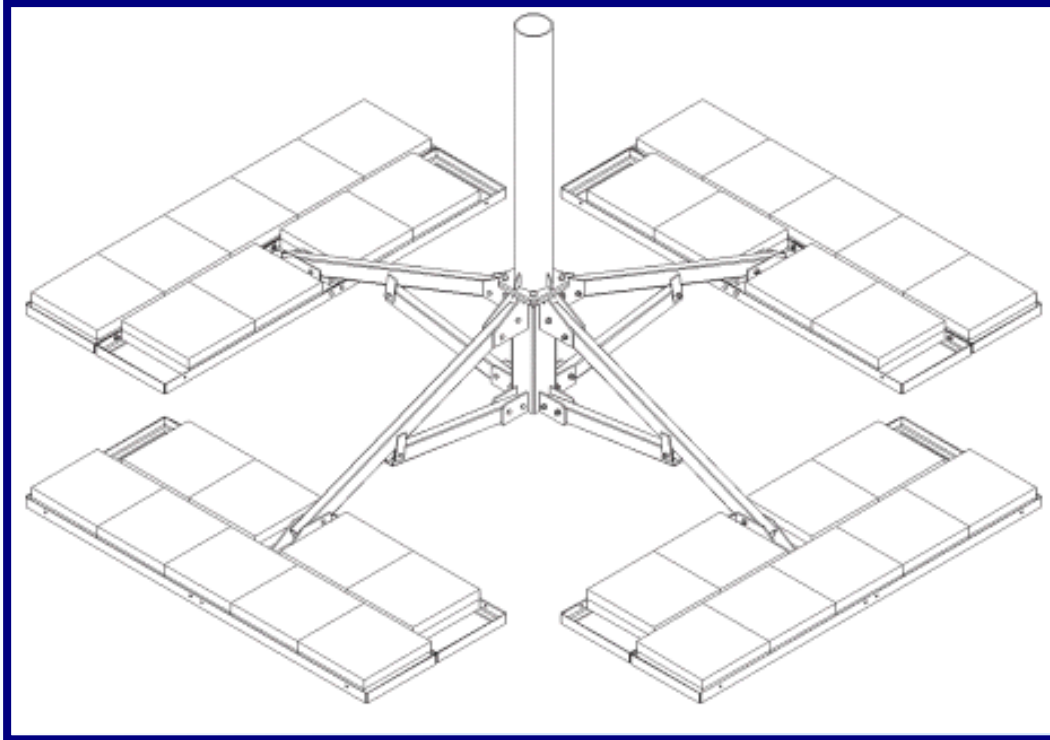


## 2,4m Non Penetrating Roof Mount



- **For installations up to 180km/h survival.**
- **Ballast tailored to site requirements.**
- **Suitable for all established 2,4m antennas.**
- **Hot dip galvanized.**
- **Easy and cost effective Installation.**

The APEXSAT AIN24001 non penetrating roof mount is designed to accommodate the 2,4m antenna. Equipped with an universal pipe of 153mm diameter it can be used with all established 2,4m offset antenna systems. An advanced design proven to meet demanding commercial applications helps this mount to survive wind speeds up to 180km/h.

Due to its easily-installed and cost-effective mounting system this Non Penetrating Roof mount can be easily installed in every region on every flat ground by everyone.